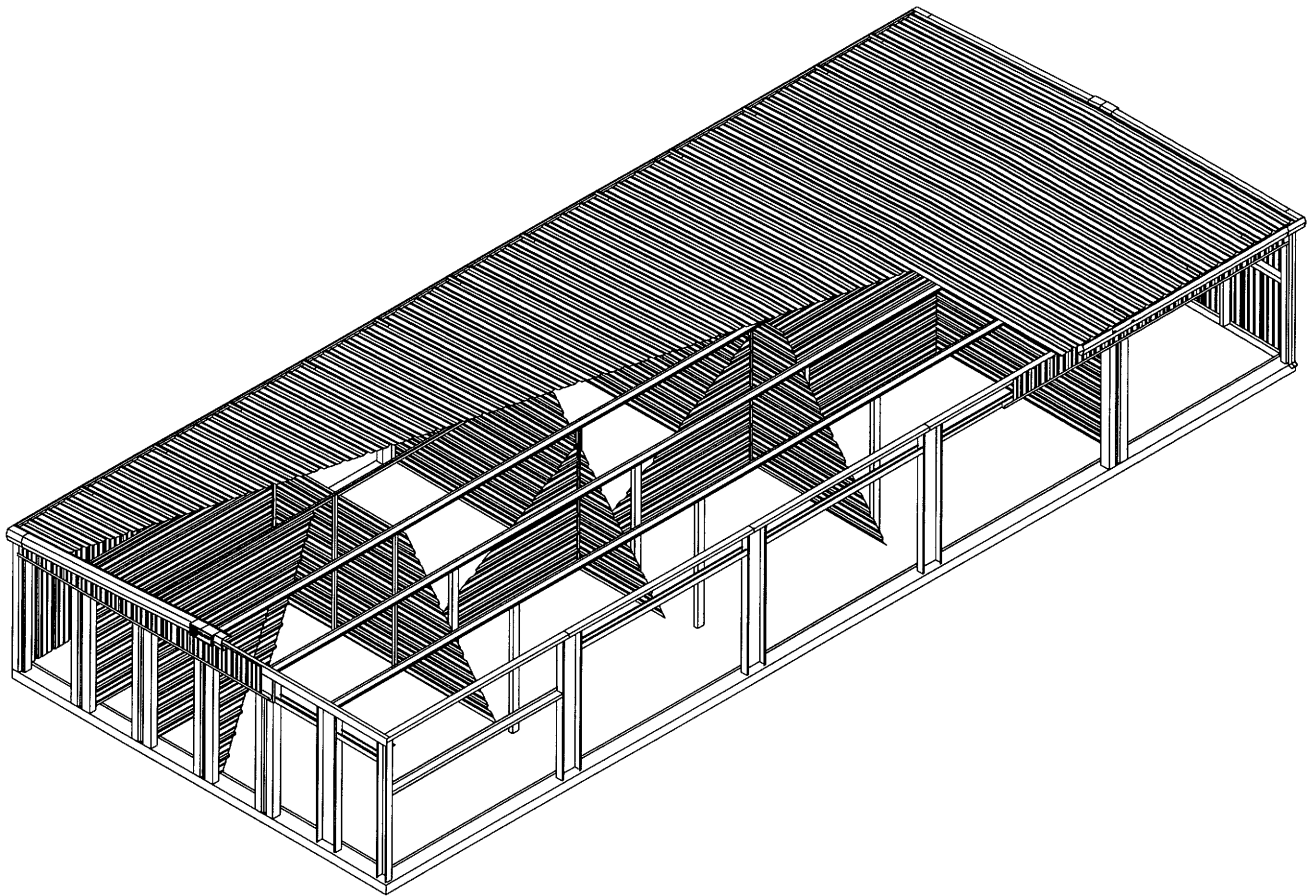




MINI STORAGE



MINI STORAGE INSTALLATION MANUAL

OMB - Mini Storage Erection Manual

OAKLAND MINI STORAGE BUILDING NOTES

NOTE:

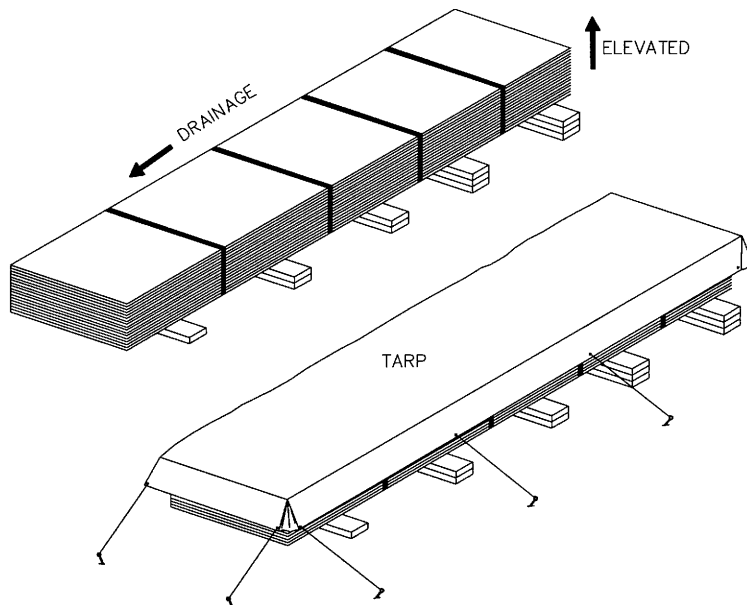
THE MINI STORAGE INSTALLATION MANUAL DEPICTS CONDITIONS AND ERECTION PROCEDURES FOR A STANDARD MINI STORAGE WITH A ROOF SLOPE OF 1/2:12. IF THERE IS A CONFLICT BETWEEN THIS MANUAL AND THE ERECTION DRAWINGS THE ERECTION DRAWINGS TAKE PRECEDENCE.

IF THERE ARE ANY QUESTIONS REGARDING PROPER ERECTION PROCEDURES OR INSTALLATION OF PARTS OR MATERIALS YOU SHOULD CONTACT:

OAKLAND METAL BUILDINGS, INC.
256-764-7943

MATERIAL STORAGE NOTES:

1. MATERIAL MUST BE STORED OUT OF THE WEATHER IN A CLEAN, DRY PLACE ONE END OF EACH CONTAINER SHOULD BE SLIGHTLY ELEVATED TO ALLOW ANY MOISTURE TO RUN OFF.
2. CARE SHOULD BE TAKEN TO PREVENT CONTACT WITH ANY SUBSTANCE WHICH MAY CAUSE A DISCOLORATION IN THE FINISH DURING STORAGE.
3. STORE MATERIALS TO PROVIDE VENTILATION AND PREVENT BENDING, TWISTING, OR ABRASION.
4. DO NOT REMOVE PAPER WRAPPING UNTIL TIME FOR ERECTION.



FLORENCE, AL.....256-764-7943
MURFREESBORO, TN.....615-867-4457
OLIVE BRANCH, MS.....662-893-7943

BASIC INSTRUCTIONS



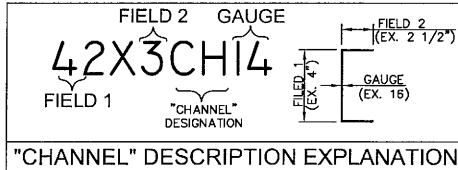
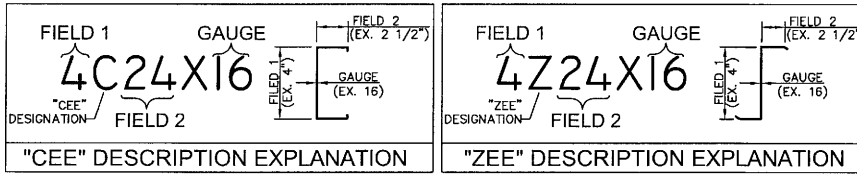
OMB - Mini Storage Erection Manual

STANDARD PART MARKS

PART MARK LEGEND AND DEFINITION OF PREFIXES

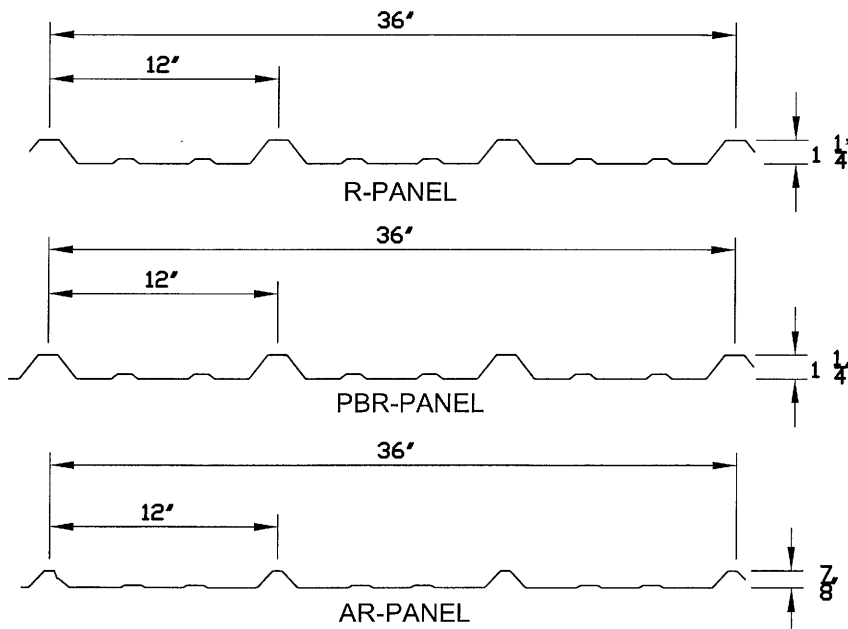
EXAMPLE: $\overbrace{\text{MJ-1}}^{\text{PART \#}}$
 $\underbrace{\text{MJ-1}}_{\text{PREFIX}}$

PRE.	DEFINITION	PRE.	DEFINITION
BC-	Base Channel	MJ-	6" or 12" Mullion Jamb
CH2	Base Clip	P-	Purlin
CH3	Base Clip	PA-	2x2 Angle
DH-	Header	PM-	Base Angle
DJ-	Jamb	RA1	4x2 Rake Angle
G-	Wall Girt	S-	4" Stud / Column
MC-1	Angle Clip	TC-	Top Channel



NOTES:

- ALL OTHER COLD FORMED MEMBERS AND OTHER MISCELLANEOUS PARTS ARE MARKED WITH MARKERS OR PAINT AT VARIOUS LOCATIONS.
- ERECTOR IS EXPECTED TO REFER TO ERECTION DRAWINGS OR MINI STORAGE INSTALLATION MANUAL TO IDENTIFY ALL OTHER MISCELLANEOUS PARTS OR HARDWARE.



FLORENCE, AL.....256-764-7943
 MURFREESBORO, TN.....615-867-4457
 OLIVE BRANCH, MS.....662-893-7943

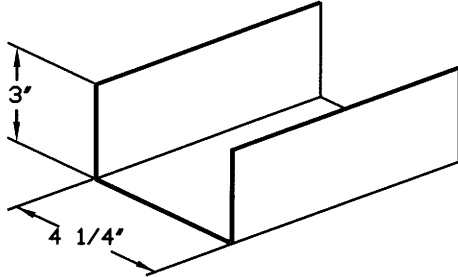
BASIC INSTRUCTIONS/ PARTS



OMB - Mini Storage Erection Manual

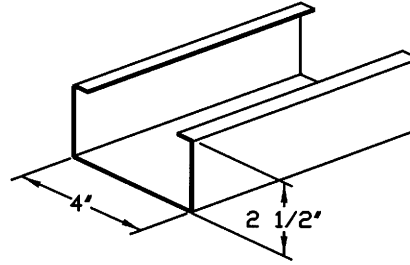
MEMBERS

Used as Top Channel, Base Channel, Eave Channel, or Rake Channel



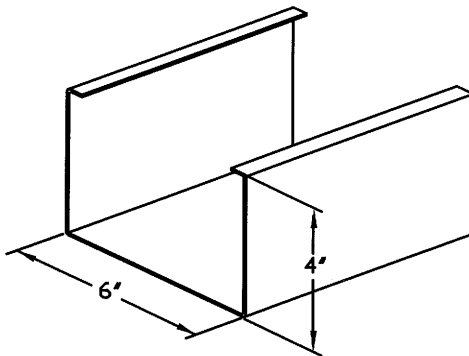
42CH3X14

Used as Channel Columns and Door Headers



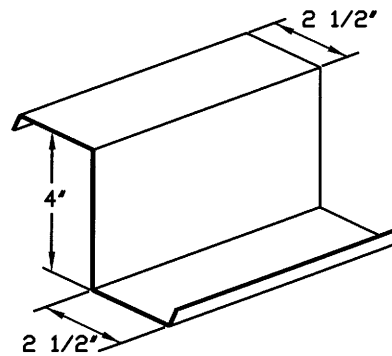
4C24X16

Used as CORNER Columns and Door Jambs



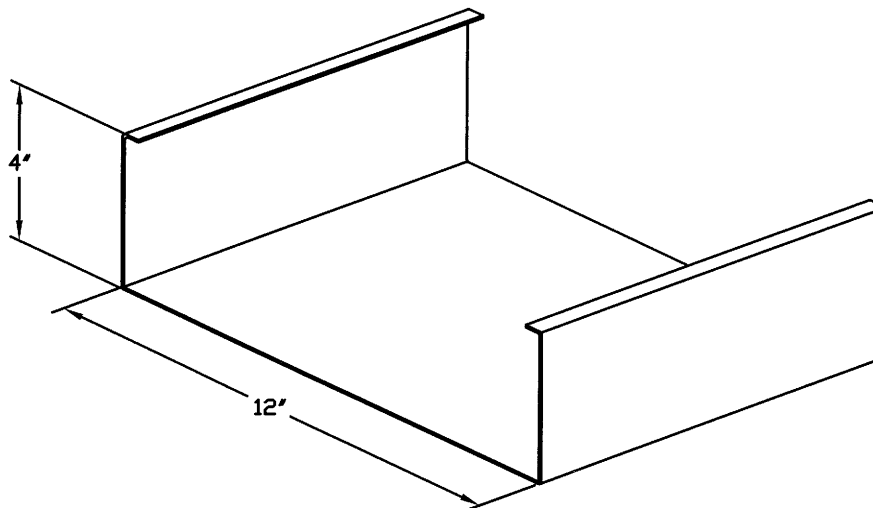
6C4X16

Used as Purlins and Girts



4Z24X16

Used as Door Jambs



12C4X14

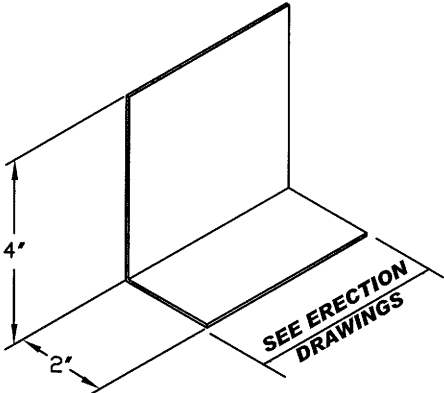
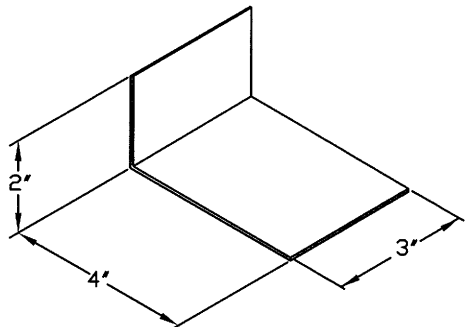
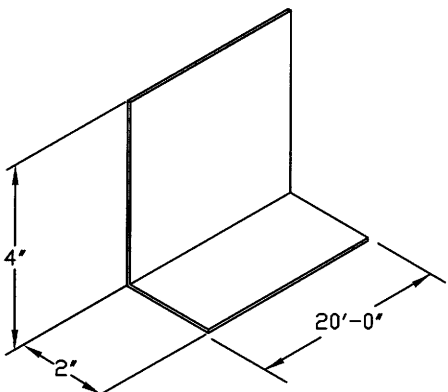
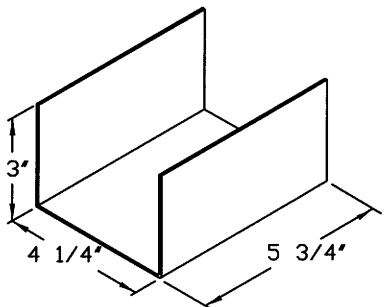
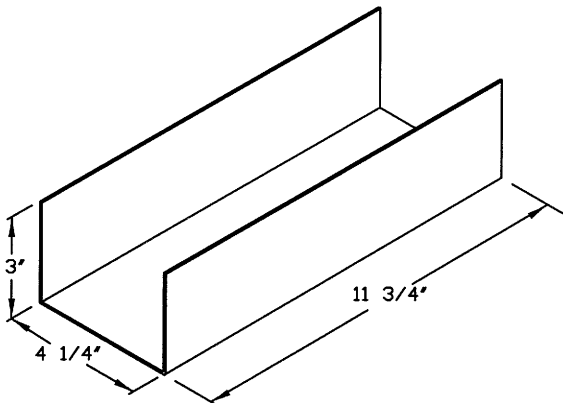
FLORENCE, AL.....256-764-7943
MURFREESBORO, TN.....615-867-4457
OLIVE BRANCH, MS.....662-893-7943

MINI STORAGE PARTS

 **OAKLAND**
METAL BUILDINGS, Inc.
FLORENCE, AL 256-764-7943

OMB - Mini Storage Erection Manual

PARTS

<p>Used @ Partition & Door Jamb</p>  <p>PA1 - L4X2X14GA</p>	<p>Used as Angle Connection Clips</p>  <p>MC-1 - 4X2X14GAx3" Long Clip</p>
<p>Used as Rake Trim & Base Trim</p>  <p>RA1 PM1 - L4X2X14GAX20'-0"</p>	<p>Base Clip for 6" Jamb</p>  <p>CH3 - 42XCH3X14GA</p>
<p>Base Clip for 12" Jamb</p>  <p>CH2 - 42XCH3X14GA</p>	

FLORENCE, AL.....256-764-7943
MURFREESBORO, TN.....615-867-4457
OLIVE BRANCH, MS.....662-893-7943

MINI STORAGE PARTS



OMB - Mini Storage Erection Manual

TRIM

<p>Gutter Located at eave</p> <p>ROOF PITCH 12</p> <p>1 1/4"</p> <p>3 1/2"</p> <p>2 1/2"</p> <p>4 1/2"</p> <p>1 1/4"</p> <p>LEG HEIGHT</p> <p>COLOR SIDE</p> <p>S1</p>	<p>RAKE TRIM Located on Rake Ends</p> <p>6 1/2"</p> <p>1 1/2"</p> <p>3/4"</p> <p>3 1/2"</p> <p>3 1/2"</p> <p>1"</p> <p>1/2"</p> <p>COLOR SIDE</p> <p>S2</p>
<p>Outside Corner Trim Located on Outside Corners</p> <p>5 1/2"</p> <p>1 1/2"</p> <p>1"</p> <p>3 1/2"</p> <p>1 1/2"</p> <p>COLOR SIDE</p> <p>S3</p>	<p>Jamb Trim Located on Sides of Openings</p> <p>2 1/2"</p> <p>1 1/2"</p> <p>1 1/2"</p> <p>1 1/2"</p> <p>COLOR SIDE</p> <p>S6</p>
<p>Downspout w/ Kickers Located at Sidewalls</p> <p>4"</p> <p>4"</p> <p>S10</p>	<p>Corner Box Located at Corner Where Gutter and Rake Meet</p> <p>1'-2"</p> <p>1'-2"</p> <p>RIGHT (AS SHOWN) LEFT (OPP. HAND)</p> <p>S13</p>

FLORENCE, AL.....256-764-7943
MURFREESBORO, TN.....615-867-4457
OLIVE BRANCH, MS.....662-893-7943

MINI STORAGE PARTS

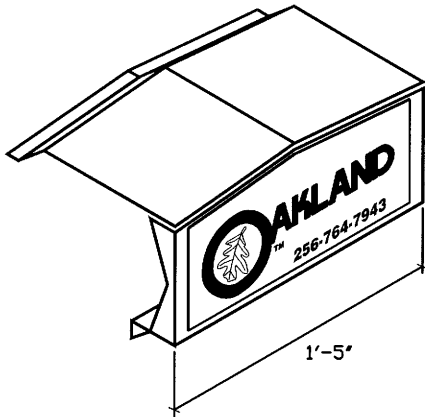
 **OAKLAND**
METAL BUILDINGS, Inc.
FLORENCE, AL 256-764-7943

OMB - Mini Storage Erection Manual

TRIM

Apex Box

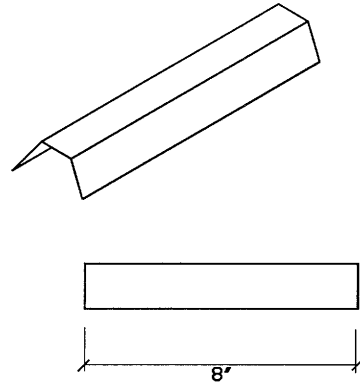
Located at Apex on Gable Ends



S14

Gutter Strap

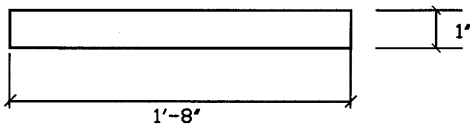
Used to Attach Gutter to Roof Sheet
(4'-0" on Center)



S15

Downspout Strap

Used to Attach Downspout to Wall
1 Per Downspout

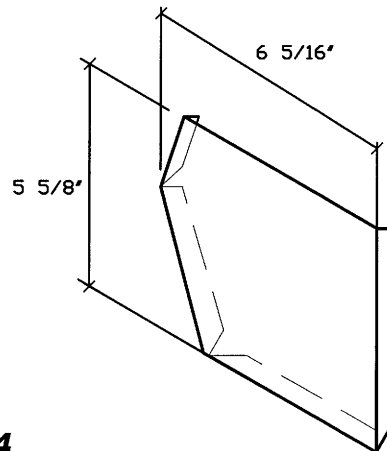


S16

Gutter End Cap

Used to Cap Gutter End

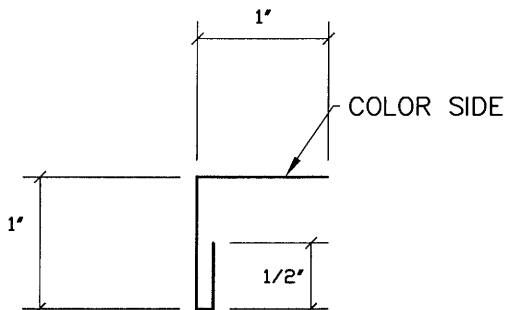
RIGHT (AS SHOWN)
LEFT (OPP. HAND)



S24

Jamb Top Trim

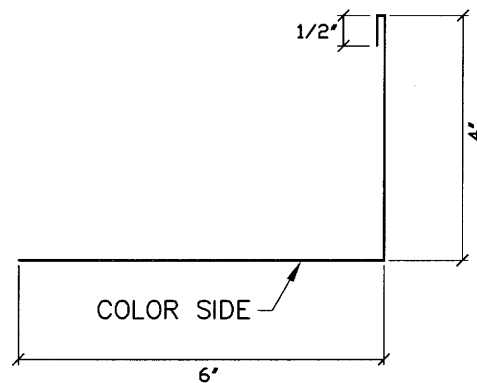
Located at Top of S81 Mullion Trim



S37

Corner Jamb Trim

6" Jamb Cover Trim



S80

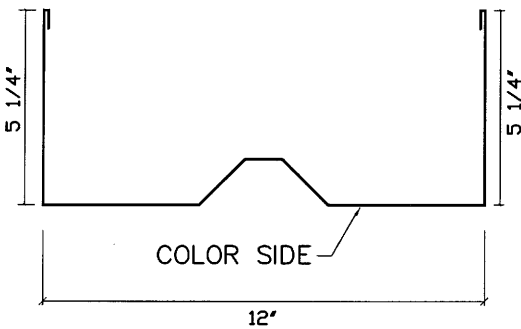
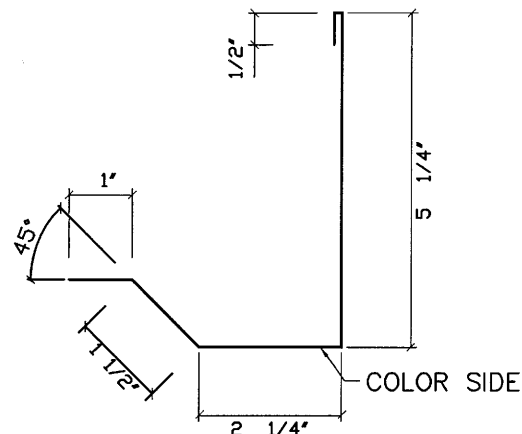
FLORENCE, AL.....256-764-7943
MURFREESBORO, TN.....615-867-4457
OLIVE BRANCH, MS.....662-893-7943

MINI STORAGE PARTS



OMB - Mini Storage Erection Manual

TRIM

<p><u>12" Jamb Trim (Mullion Trim)</u> Between Framed Openings.</p>  <p>S81</p>	<p><u>Jamb Trim</u> Located at Sheeted Wall to Framed Openings.</p>  <p>S82</p>

FLORENCE, AL.....256-764-7943
MURFREESBORO, TN.....615-867-4457
OLIVE BRANCH, MS.....662-893-7943

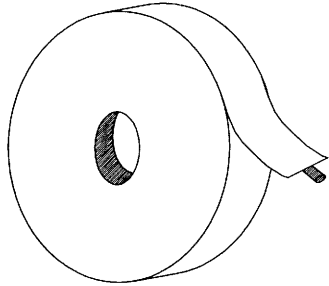
MINI STORAGE PARTS



OMB - Mini Storage Erection Manual

HARDWARE

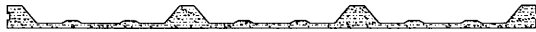
Tacky Tape
Used To Seal Roof Panel Side Laps
& Trim To Roof Joint.



Outside Closure
Used To Close Opening Between
Rake Trim & Endwall Panels.



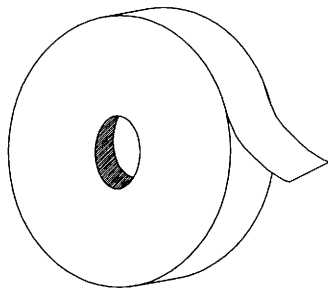
Inside Closure
Used To Close Under Roof Panels
at Eave Channel.



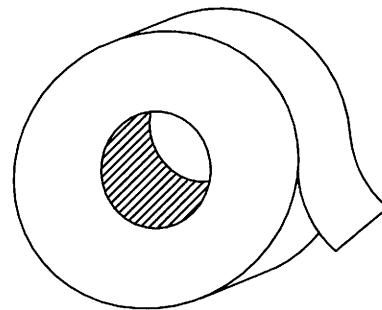
Caulking
Caulking is Used To Seal Gutter Laps,
Gutter to Corner Box, Corner Box to Rake
Trim, & Rake Trim to Peak Box Joints.



Double Sided Tape
Used To Attach Insulation to Eave
Channel & Rake Angle.

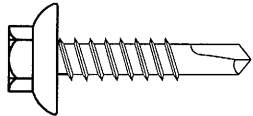
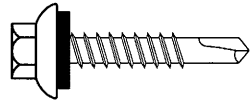
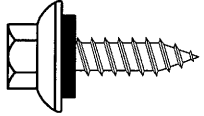
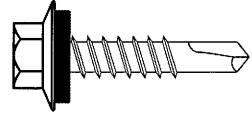
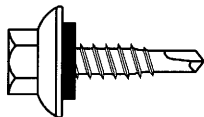
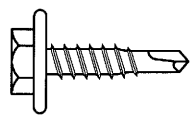


Insulation Patch Tape
Used to Patch Tears in Insulation.



OMB - Mini Storage Erection Manual

HARDWARE

<p><u>Hex Head w/ No Washer</u> #12 X 1 1/4" - CAD PLATED Structural Assembly (See Details for Qty. per Connection)</p>  <p>PL12X125</p>	<p><u>Hex Head w/ Neoprene Washer</u> #12 X 1 1/4" - ROOF COLOR Roof Sheet Structure Screws (See Details for Screw Spacing)</p>  <p>SDRLU12</p>
<p><u>Hex Head w/ Neoprene Washer</u> #14 X 7/8" - WALL COLOR Wall Sheet Lap Screws (30" O.C. @ Panel Sidelaps)</p>  <p>LAPUAB14</p>	<p><u>Hex Head w/ Neoprene Washer</u> #12 X 1 1/4" - WALL COLOR Wall Sheet Structure Screws (12" centers at Structural member)</p>  <p>SDRL12</p>
<p><u>Hex Head w/ Neoprene Washer</u> #14 X 7/8" - ROOF COLOR Roof Sheet Lap Screws (1 at eave and each purlin) (1 at 20" on center in between)</p>  <p>LAPUAB14</p>	<p><u>Hex Head w/ No Washer</u> #14 X 7/8" - CAD PLATED Partition Sheet Lap Screws (30" O.C. @ Panel Side Laps)</p>  <p>LAPUAB14</p>

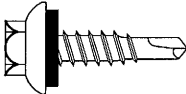
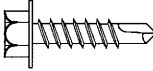
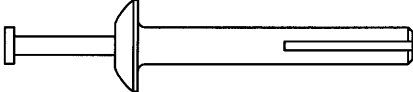
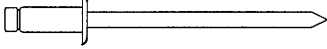
FLORENCE, AL.....256-764-7943
 MURFREESBORO, TN.....615-867-4457
 OLIVE BRANCH, MS.....662-893-7943

MINI STORAGE HARDWARE



OMB - Mini Storage Erection Manual

HARDWARE

<p><u>Hex Head w/ Neoprene Washer</u> #14 X 7/8" - TRIM / WALL COLOR Trim Fasteners (trim color) Wall Lap Screw (wall color)</p>  <p>SDRL14</p>	<p><u>Hex Head w/ No Washer</u> #10 X 5/8" Partition Panel to Structure Member (12" centers at each member)</p>  <p>SD10X58</p>
<p><u>Nail In Anchor</u> 1/4" x 1 1/2" Used to Anchor Base Clips and Base Angle to Concrete</p>  <p>1/4 NAIL ANCHOR</p>	<p><u>Pop Rivet</u> (Used at Trim Lap)</p>  <p>POPRIV</p>

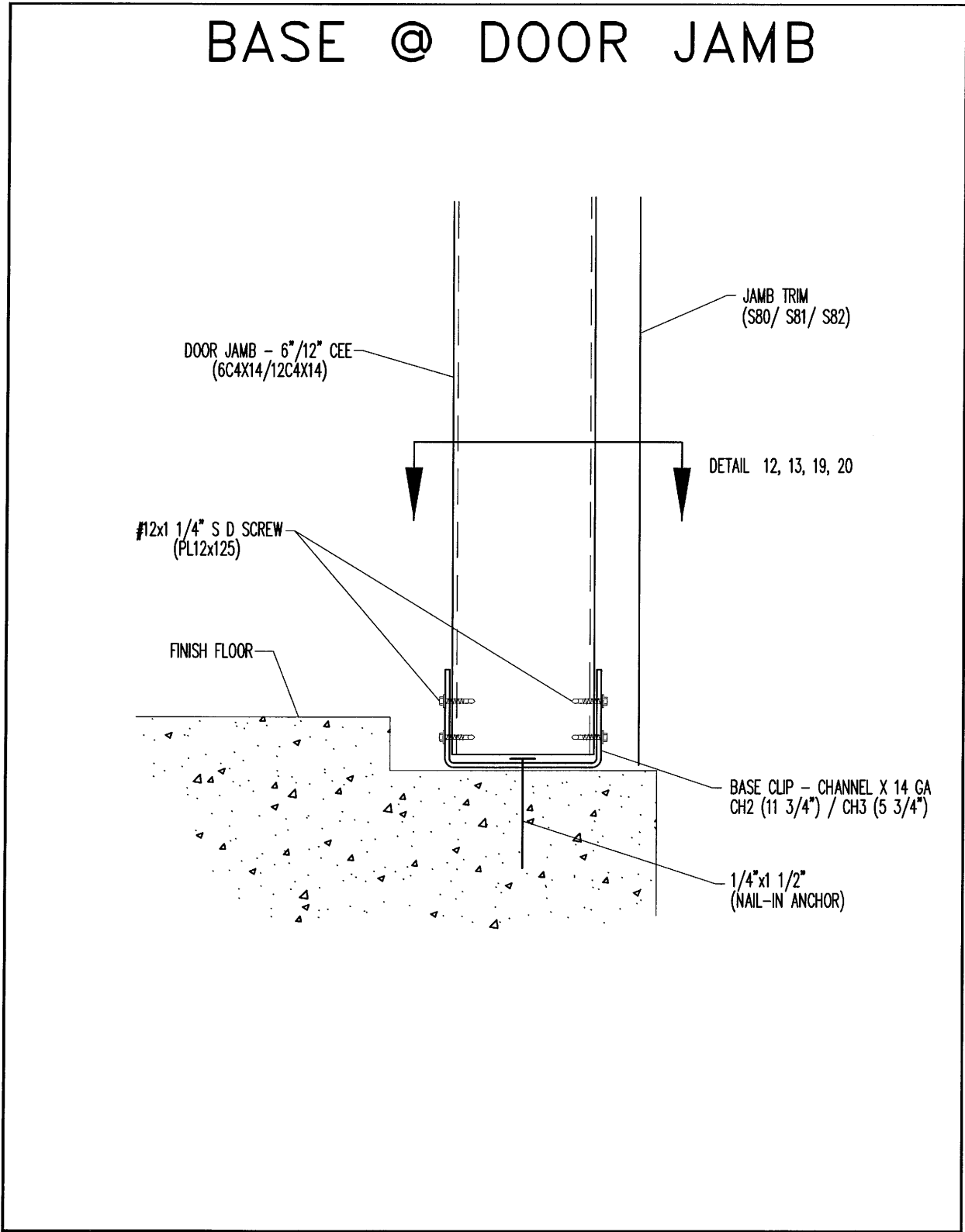
FLORENCE, AL.....256-764-7943
MURFREESBORO, TN.....615-867-4457
OLIVE BRANCH, MS.....662-893-7943

MINI STORAGE HARDWARE



DETAIL

BASE @ DOOR JAMB



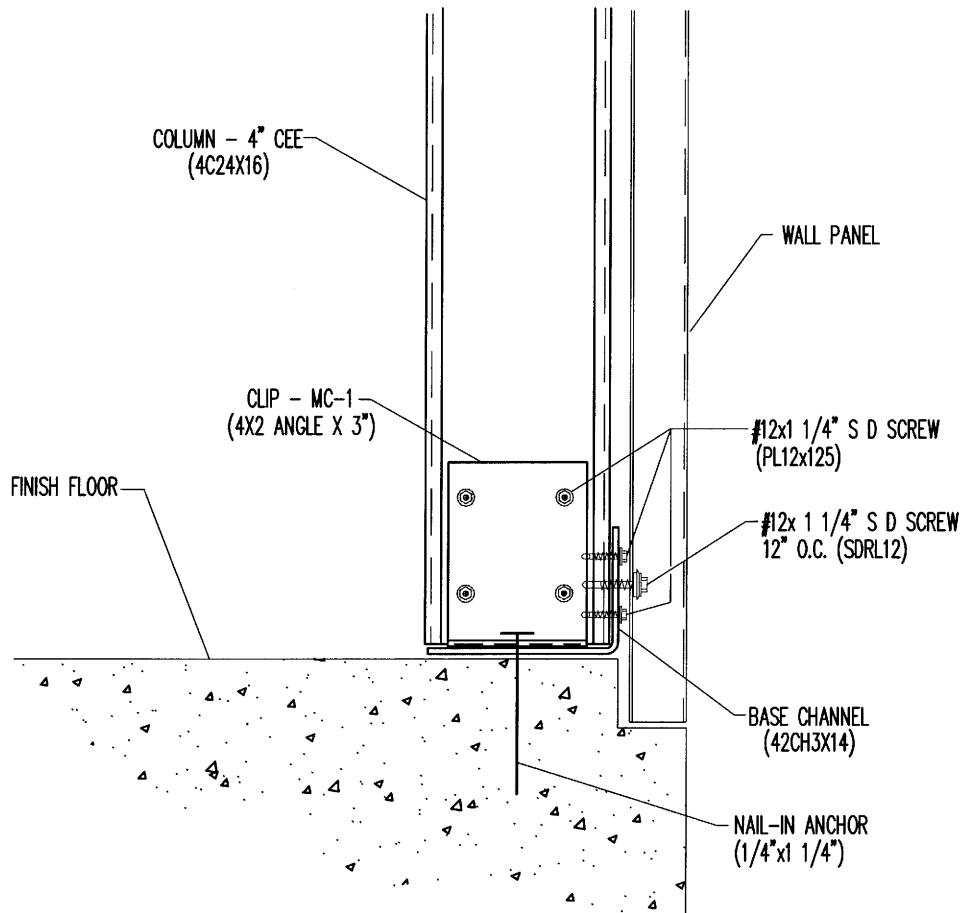
FLORENCE, AL.....256-764-7943
MURFREESBORO, TN.....615-867-4457
OLIVE BRANCH, MS.....662-893-7943

MINI STORAGE DETAILS

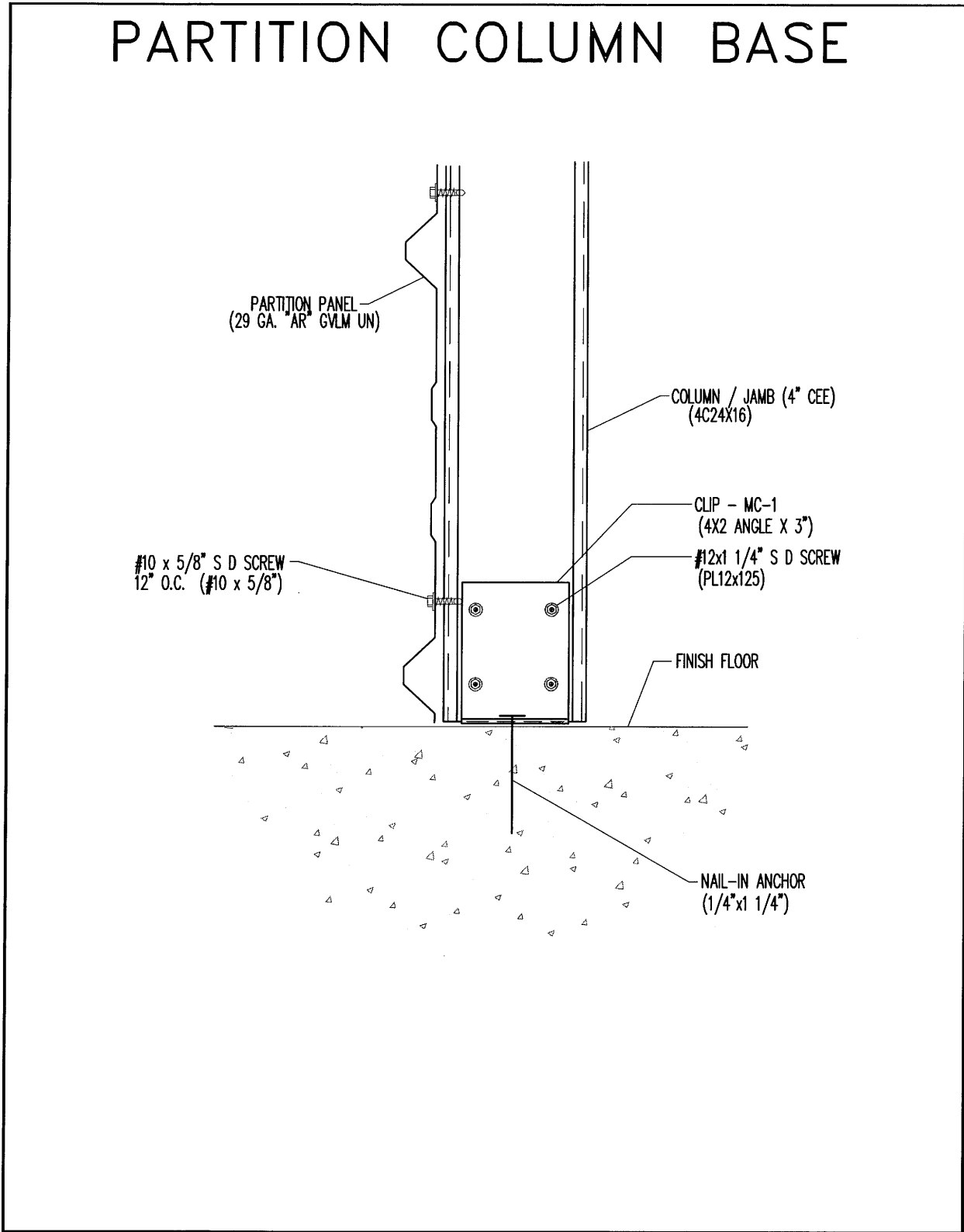


DETAIL

COLUMN BASE @ SHEETED WALL



DETAIL



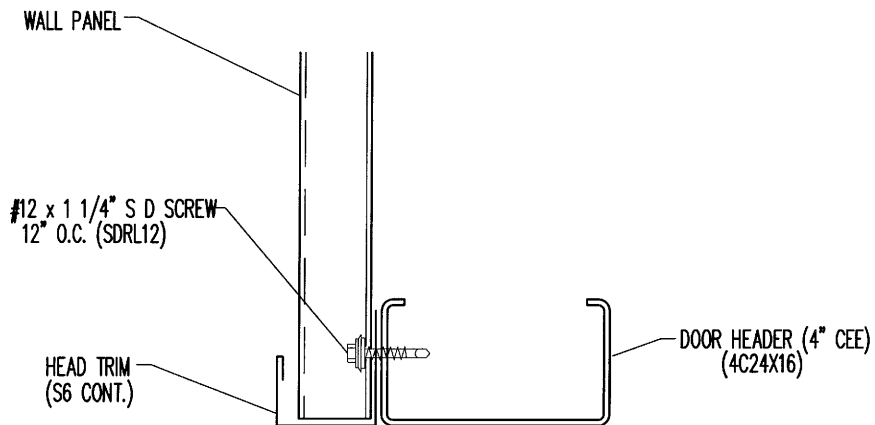
FLORENCE, AL.....256-764-7943
MURFREESBORO, TN.....615-867-4457
OLIVE BRANCH, MS.....662-893-7943

MINI STORAGE DETAILS



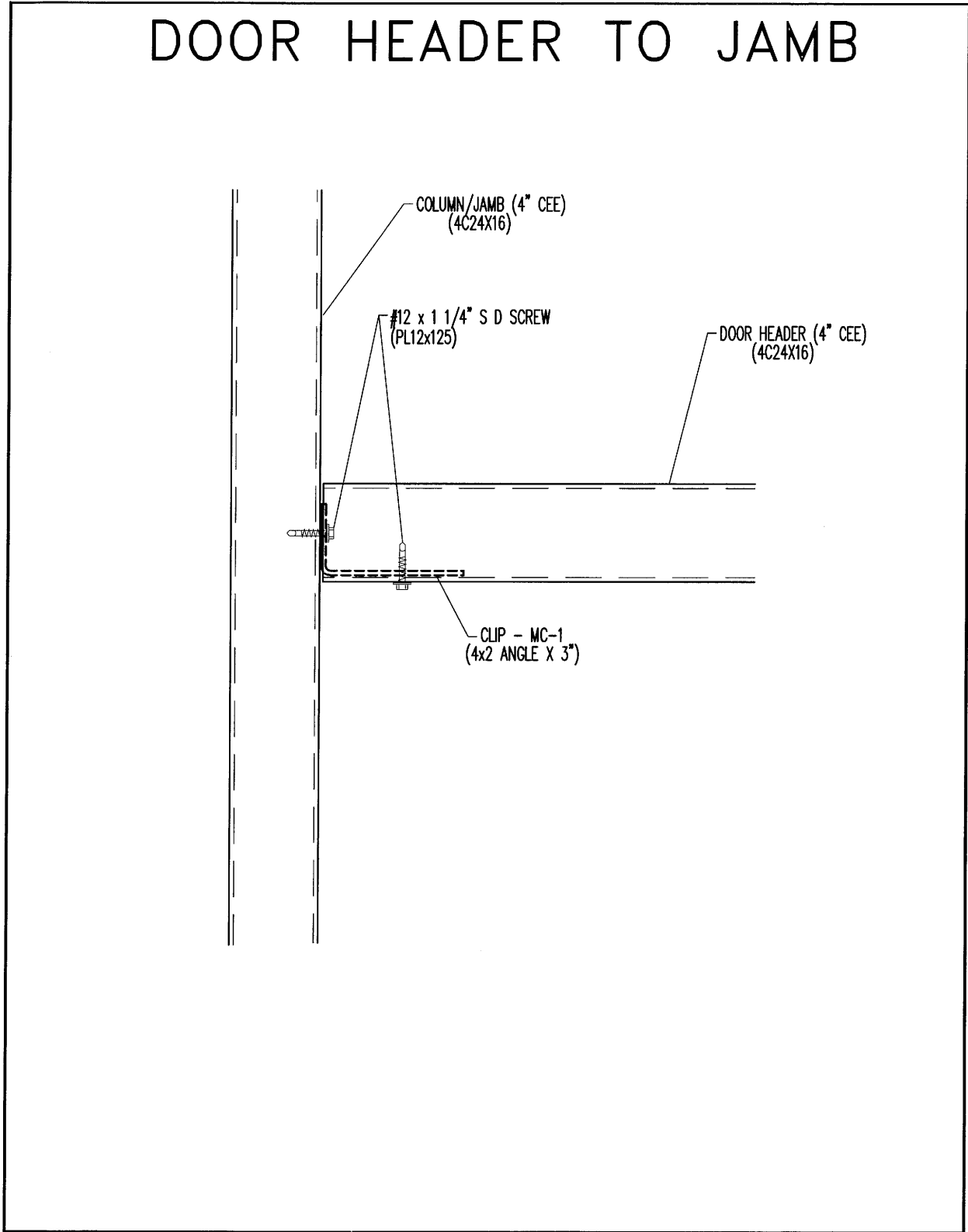
DETAIL

EXTERIOR PANEL & TRIM @ DOOR HEADER



DETAIL

DOOR HEADER TO JAMB



FLORENCE, AL.....256-764-7943
MURFREESBORO, TN.....615-867-4457
OLIVE BRANCH, MS.....662-893-7943

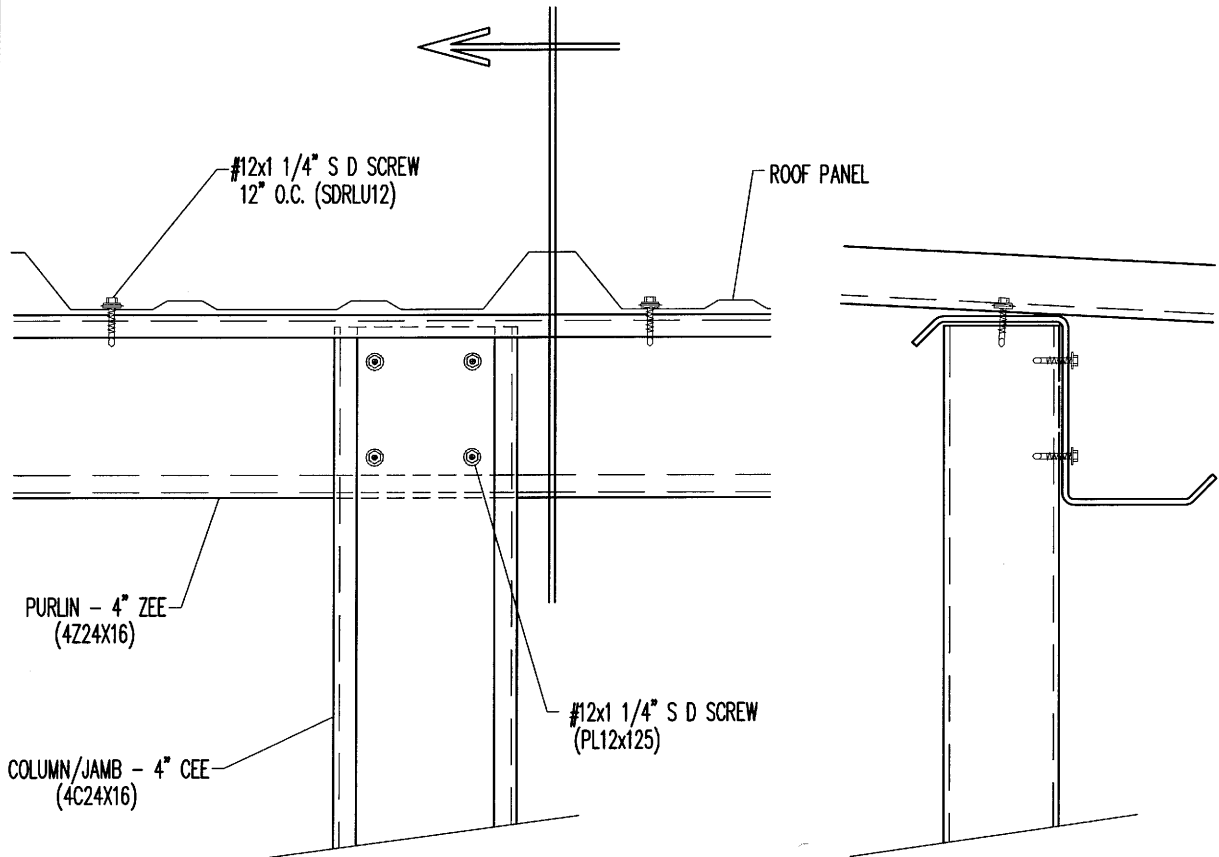
MINI STORAGE DETAILS



OMB - Mini Storage Erection Manual

DETAIL

INTERMEDIATE COLUMN TO PURLIN



SECTION

FLORENCE, AL.....256-764-7943
MURFREESBORO, TN.....615-867-4457
OLIVE BRANCH, MS.....662-893-7943

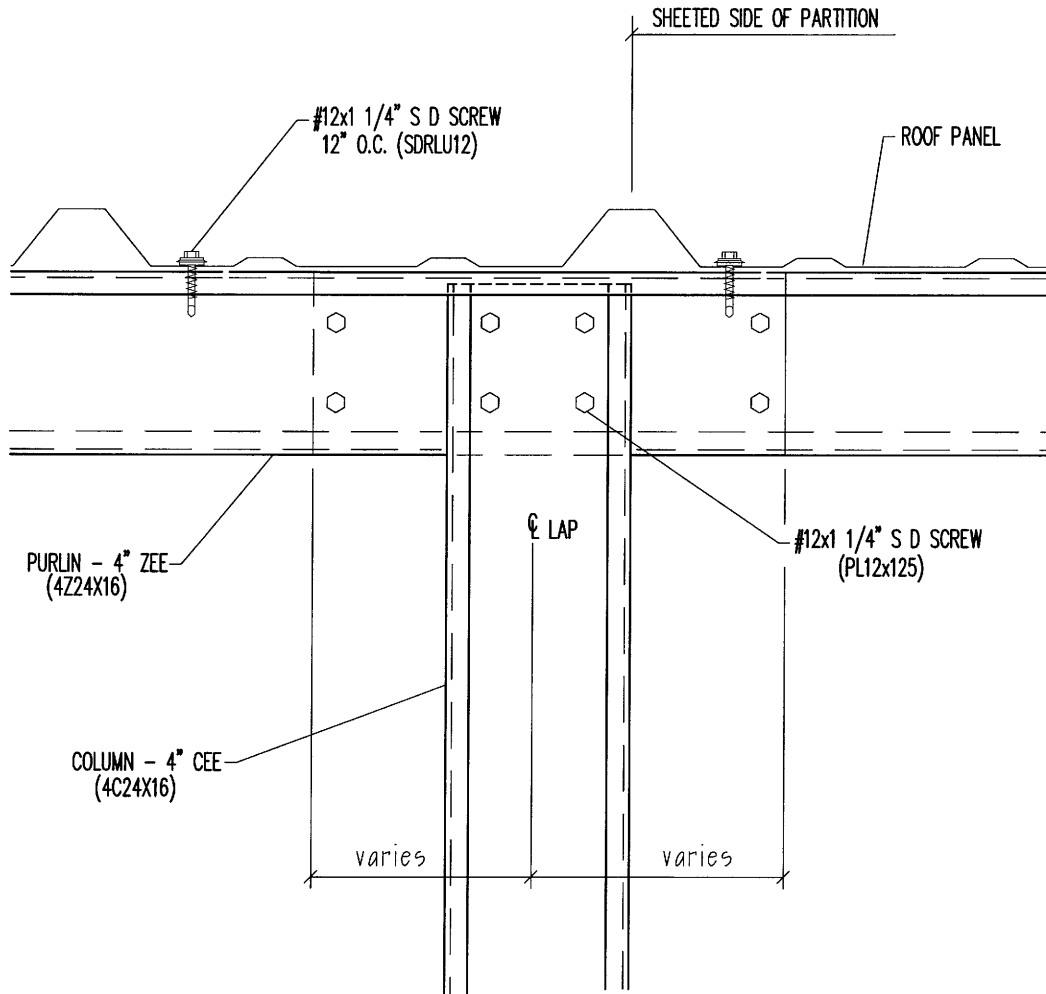
MINI STORAGE DETAILS



OMB - Mini Storage Erection Manual

DETAIL

COLUMN TO PURLIN @ LAP



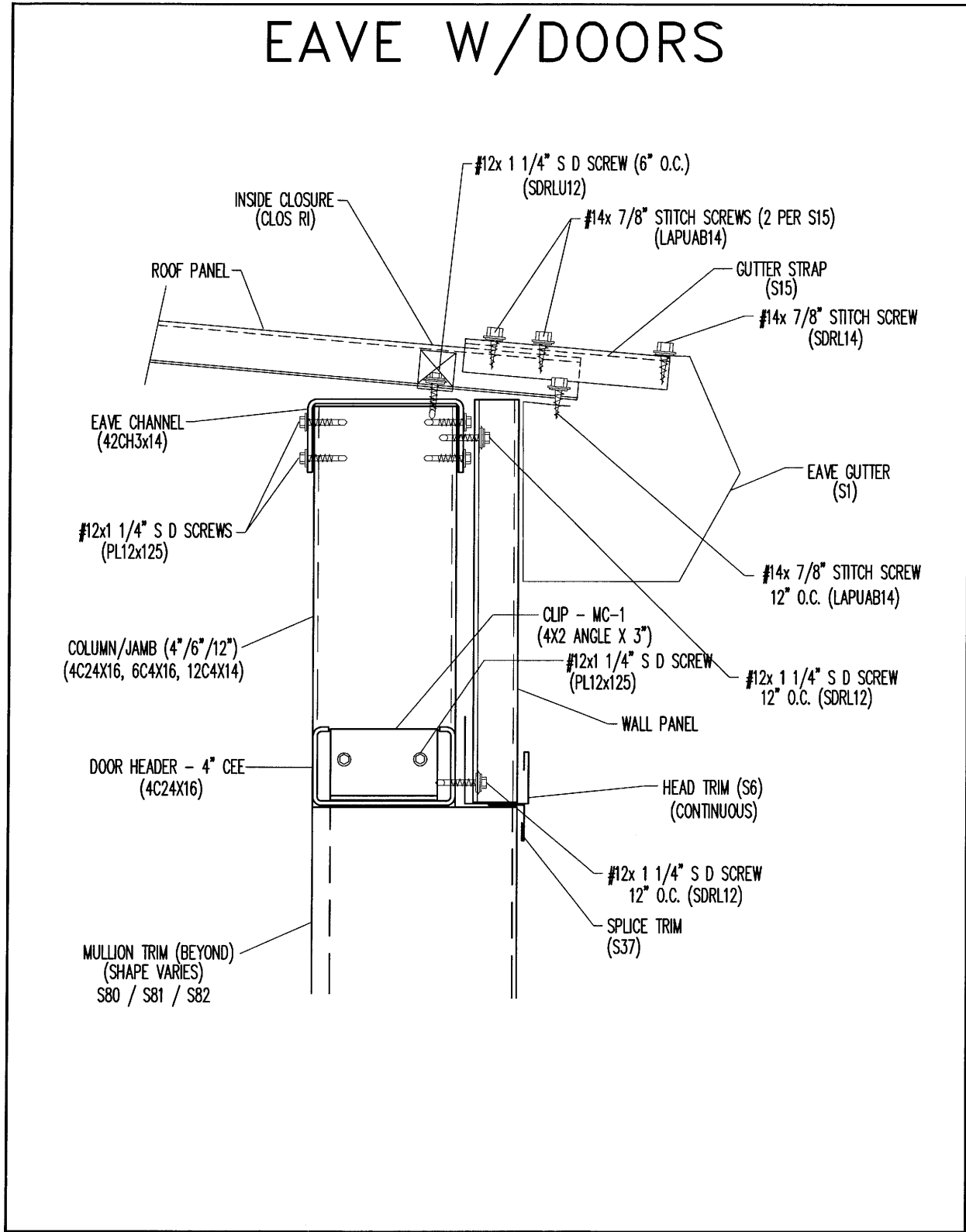
FLORENCE, AL.....256-764-7943
MURFREESBORO, TN.....615-867-4457
OLIVE BRANCH, MS.....662-893-7943

MINI STORAGE DETAILS



DETAIL

EAVE W/DOORS



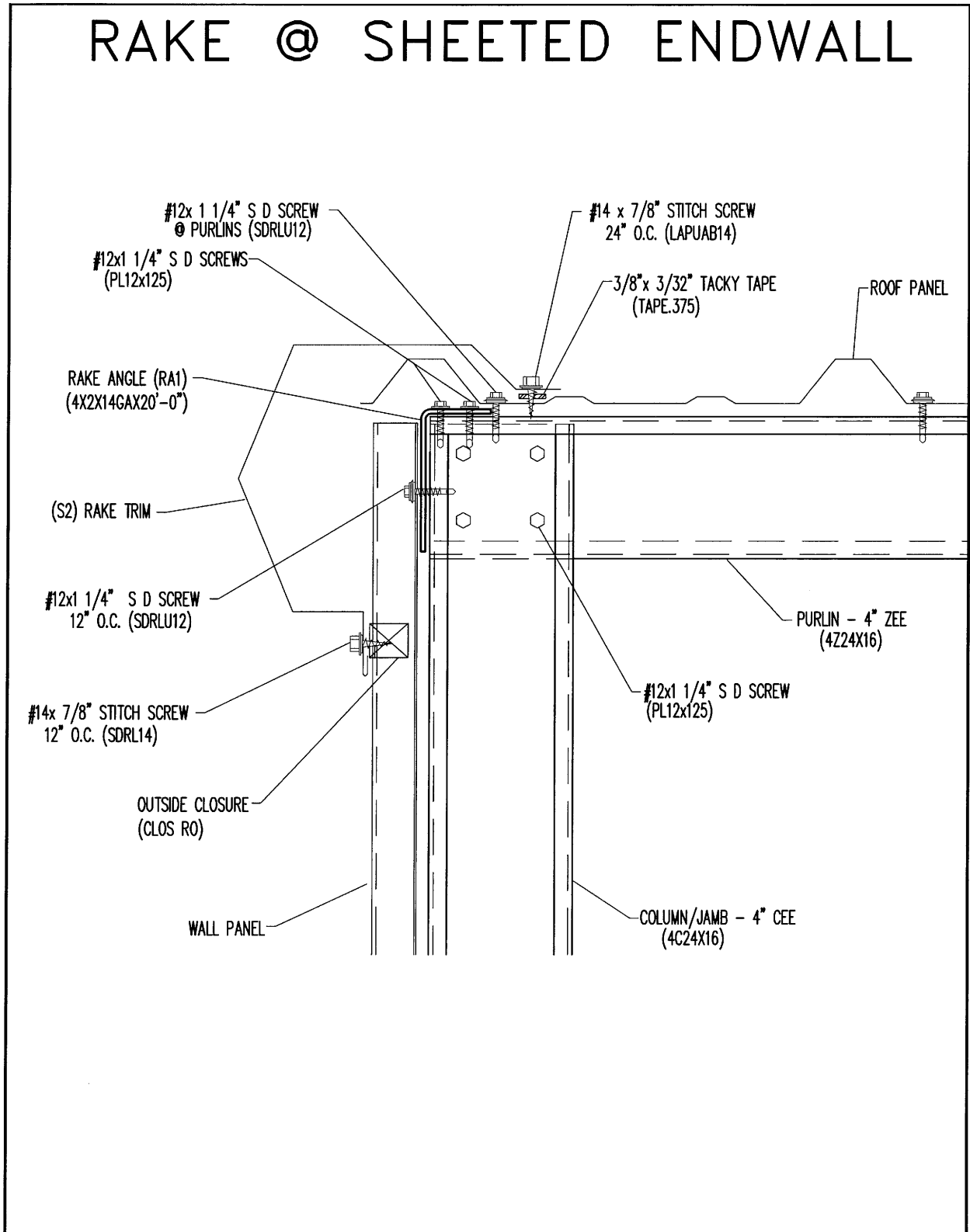
FLORENCE, AL.....256-764-7943
 MURFREESBORO, TN.....615-867-4457
 OLIVE BRANCH, MS.....662-893-7943

MINI STORAGE DETAILS



DETAIL

RAKE @ SHEETED ENDWALL

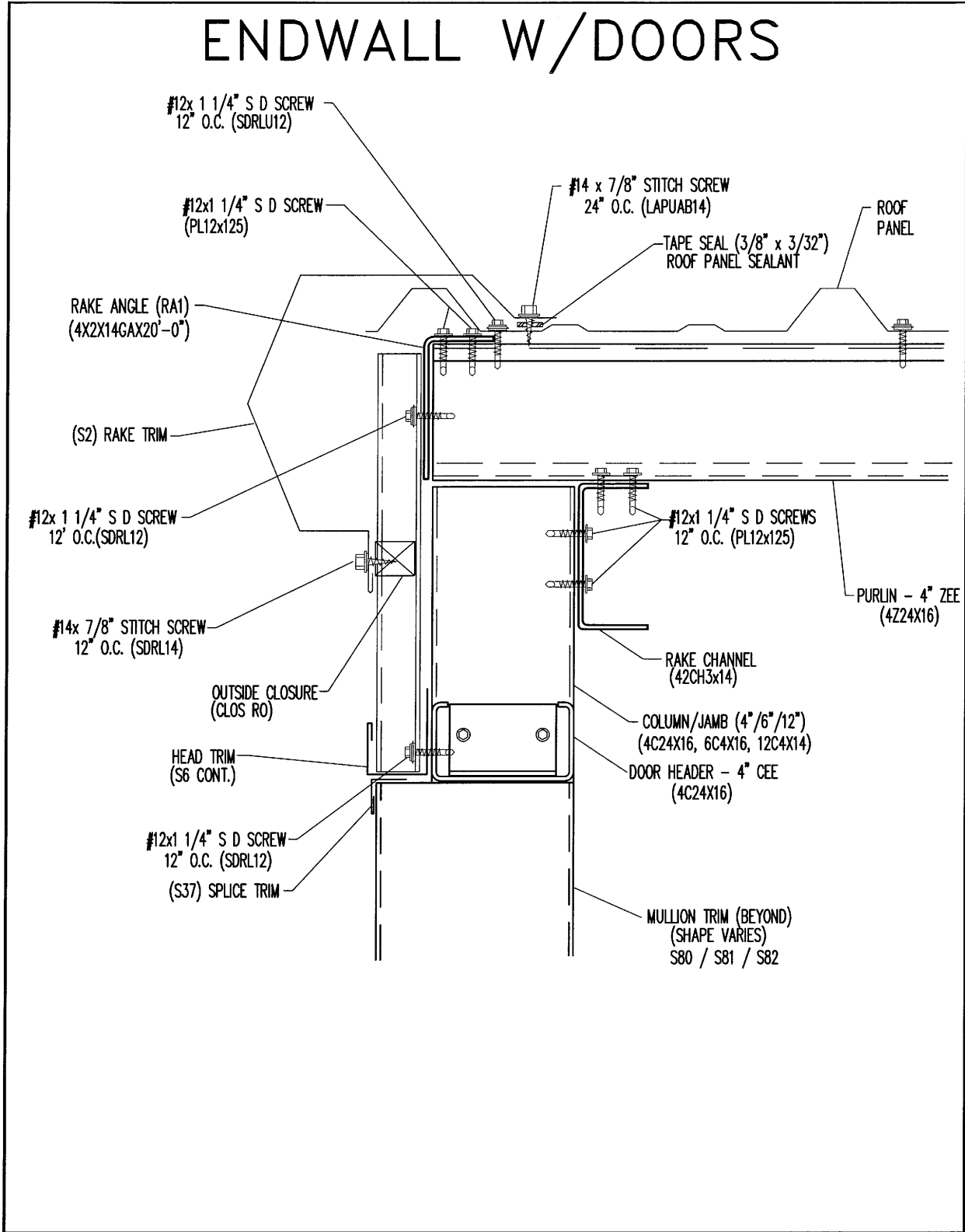


FLORENCE, AL.....256-764-7943
MURFREESBORO, TN.....615-867-4457
OLIVE BRANCH, MS.....662-893-7943

MINI STORAGE DETAILS



DETAIL



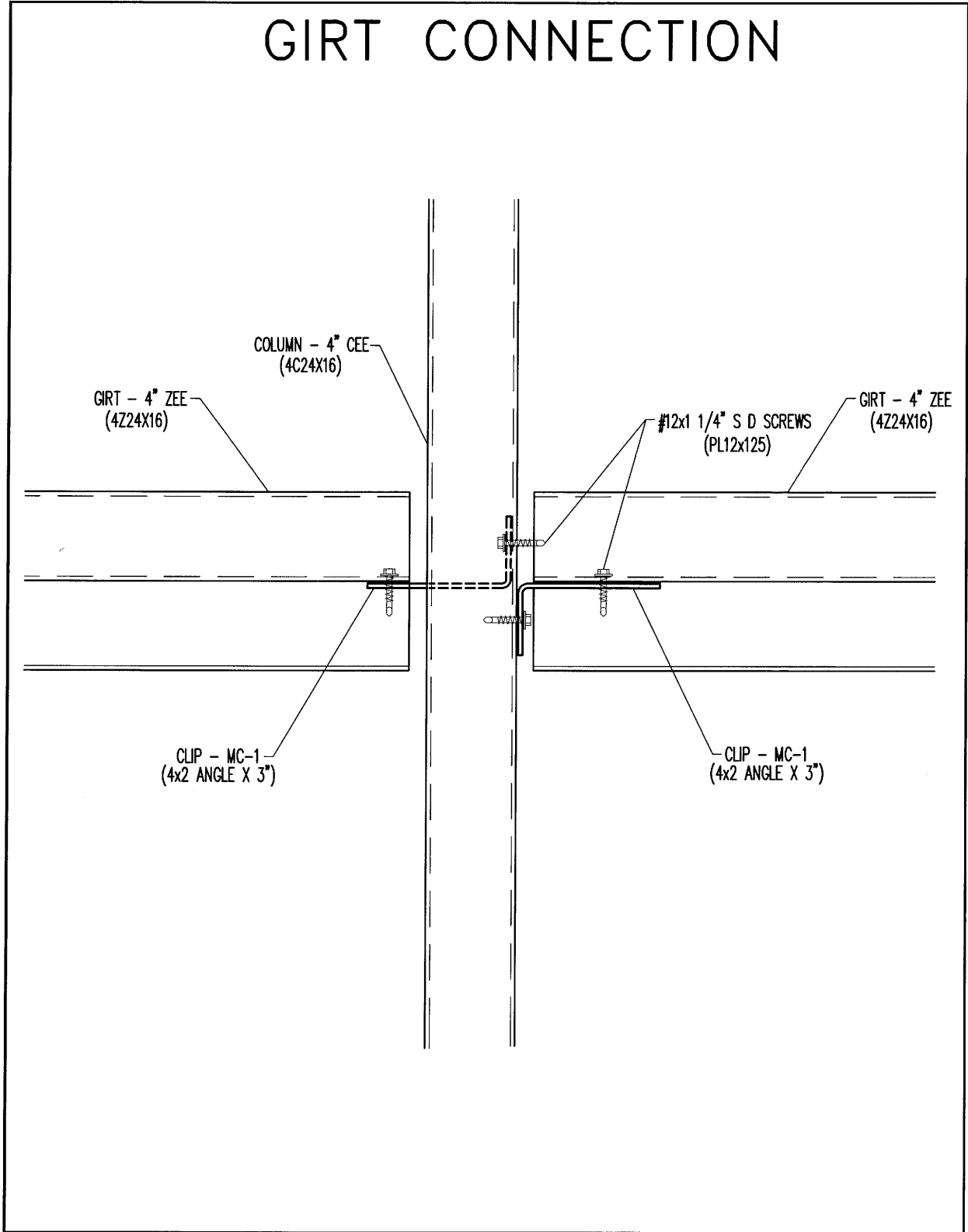
FLORENCE, AL.....256-764-7943
 MURFREESBORO, TN.....615-867-4457
 OLIVE BRANCH, MS.....662-893-7943

MINI STORAGE DETAILS



DETAIL

GIRT CONNECTION



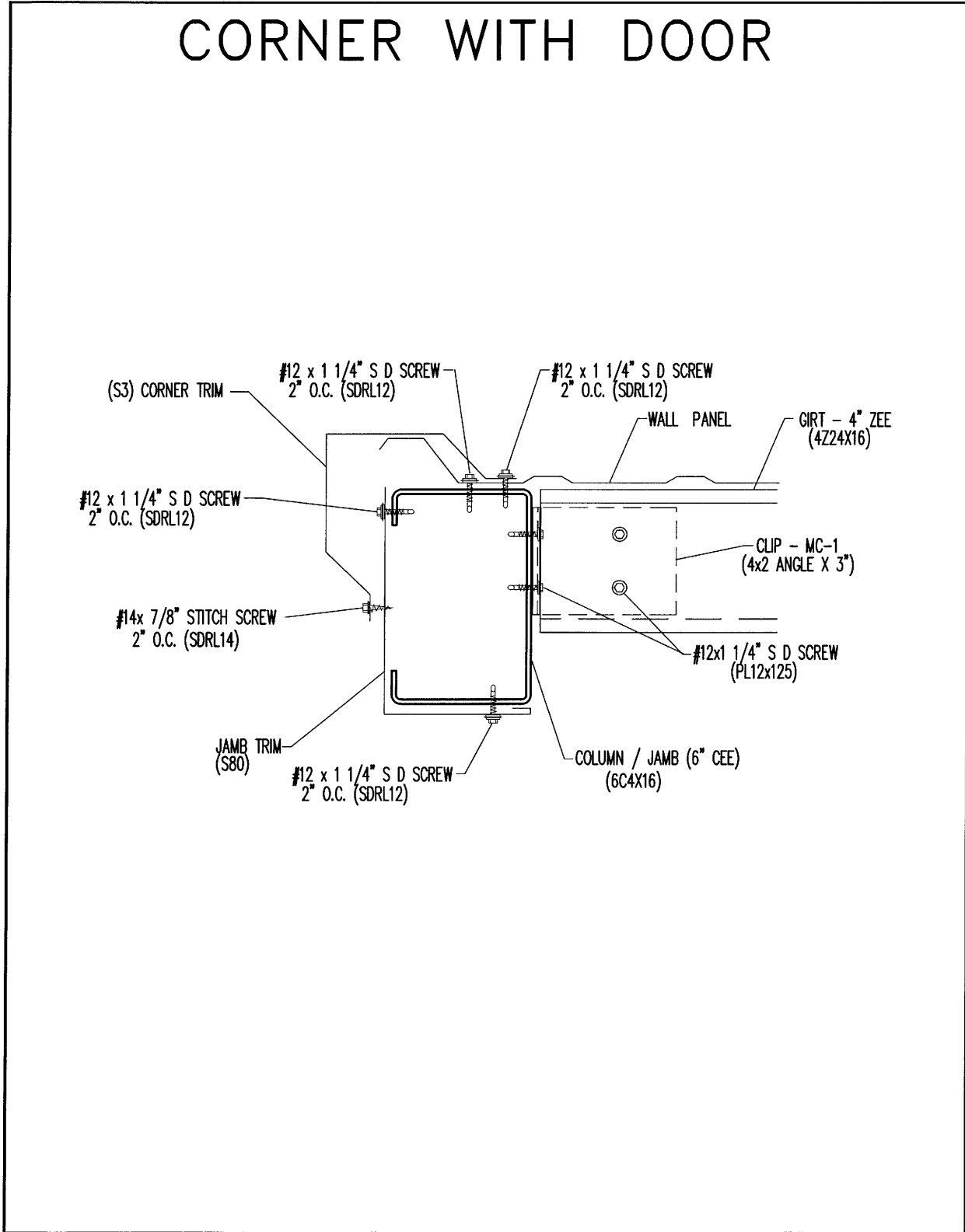
FLORENCE, AL.....256-764-7943
MURFREESBORO, TN.....615-867-4457
OLIVE BRANCH, MS.....662-893-7943

MINI STORAGE DETAILS



DETAIL

CORNER WITH DOOR



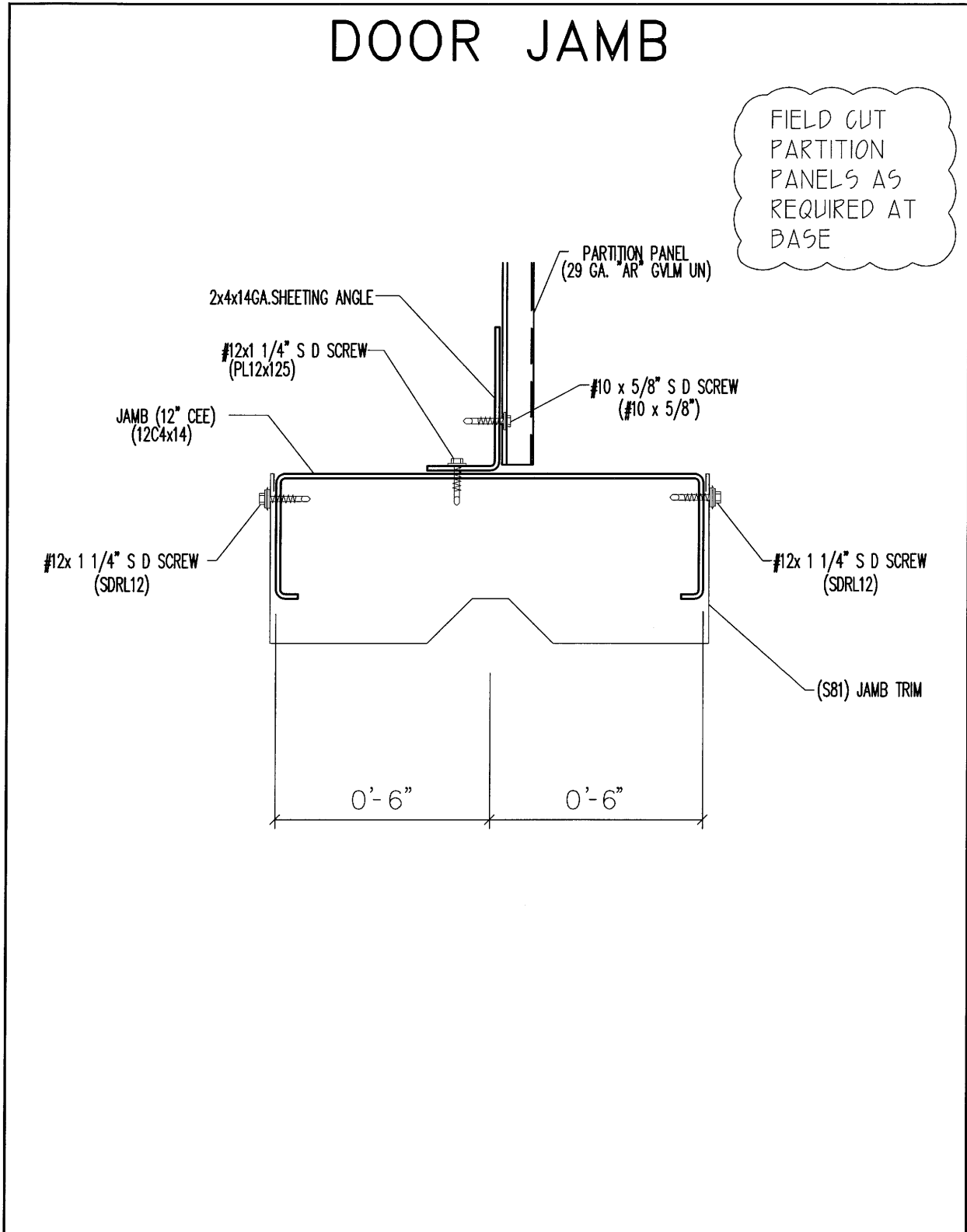
FLORENCE, AL.....256-764-7943
MURFREESBORO, TN.....615-867-4457
OLIVE BRANCH, MS.....662-893-7943

MINI STORAGE DETAILS



DETAIL

DOOR JAMB



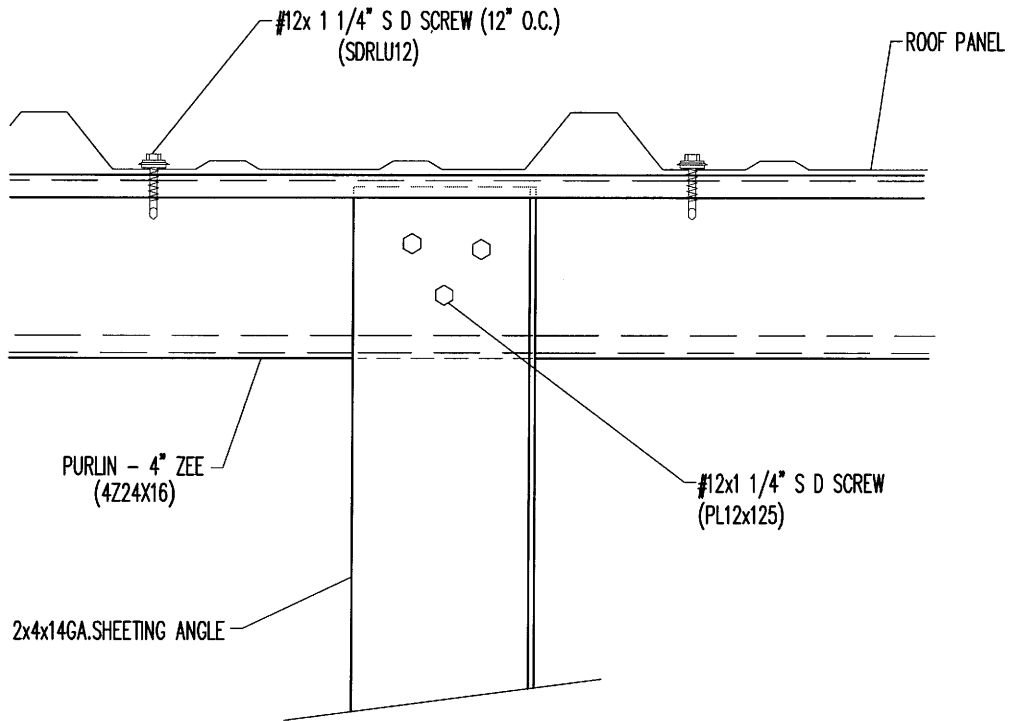
FLORENCE, AL.....256-764-7943
MURFREESBORO, TN.....615-867-4457
OLIVE BRANCH, MS.....662-893-7943

MINI STORAGE DETAILS



DETAIL

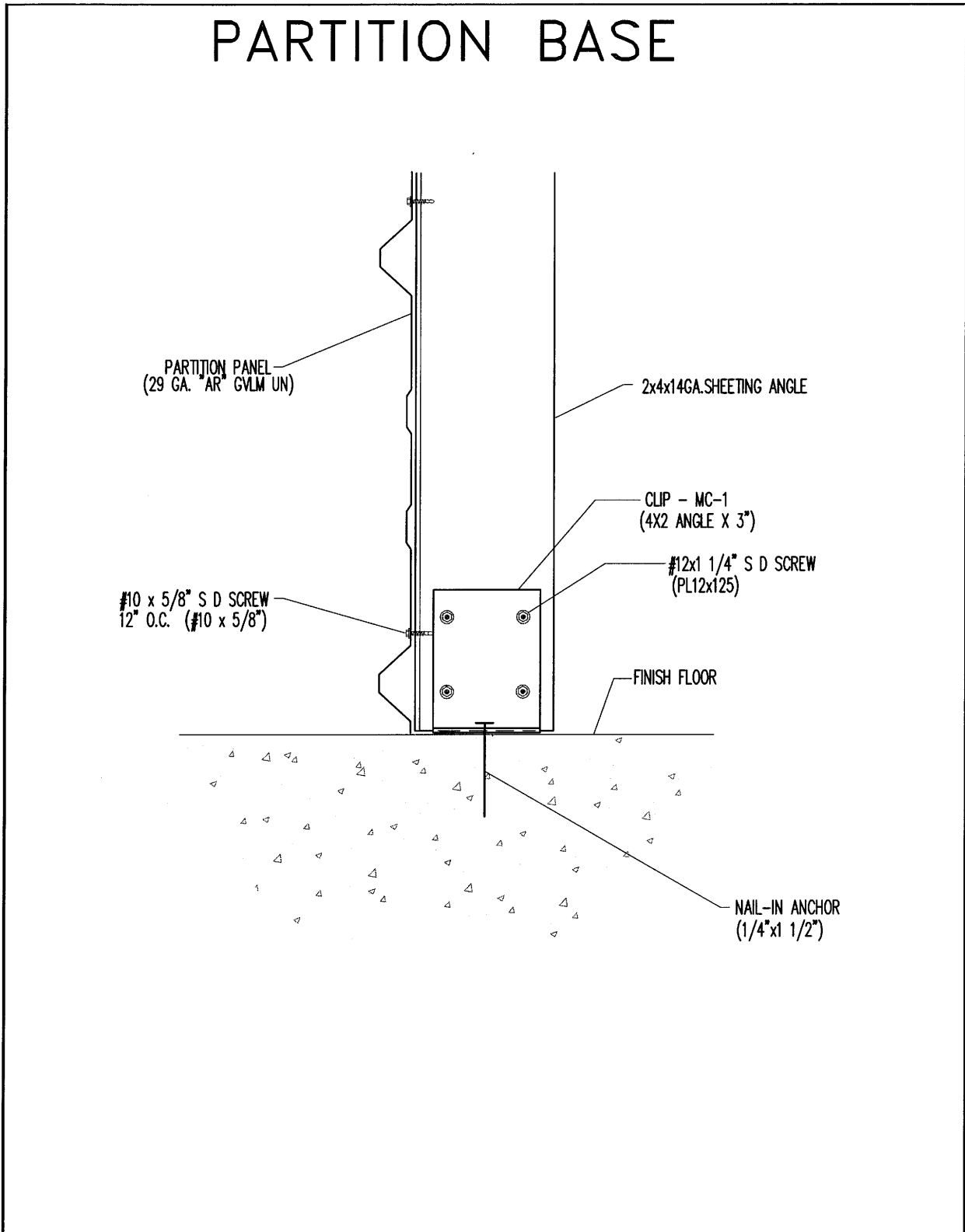
ANGLE TO PURLIN



OMB - Mini Storage Erection Manual

DETAIL

PARTITION BASE



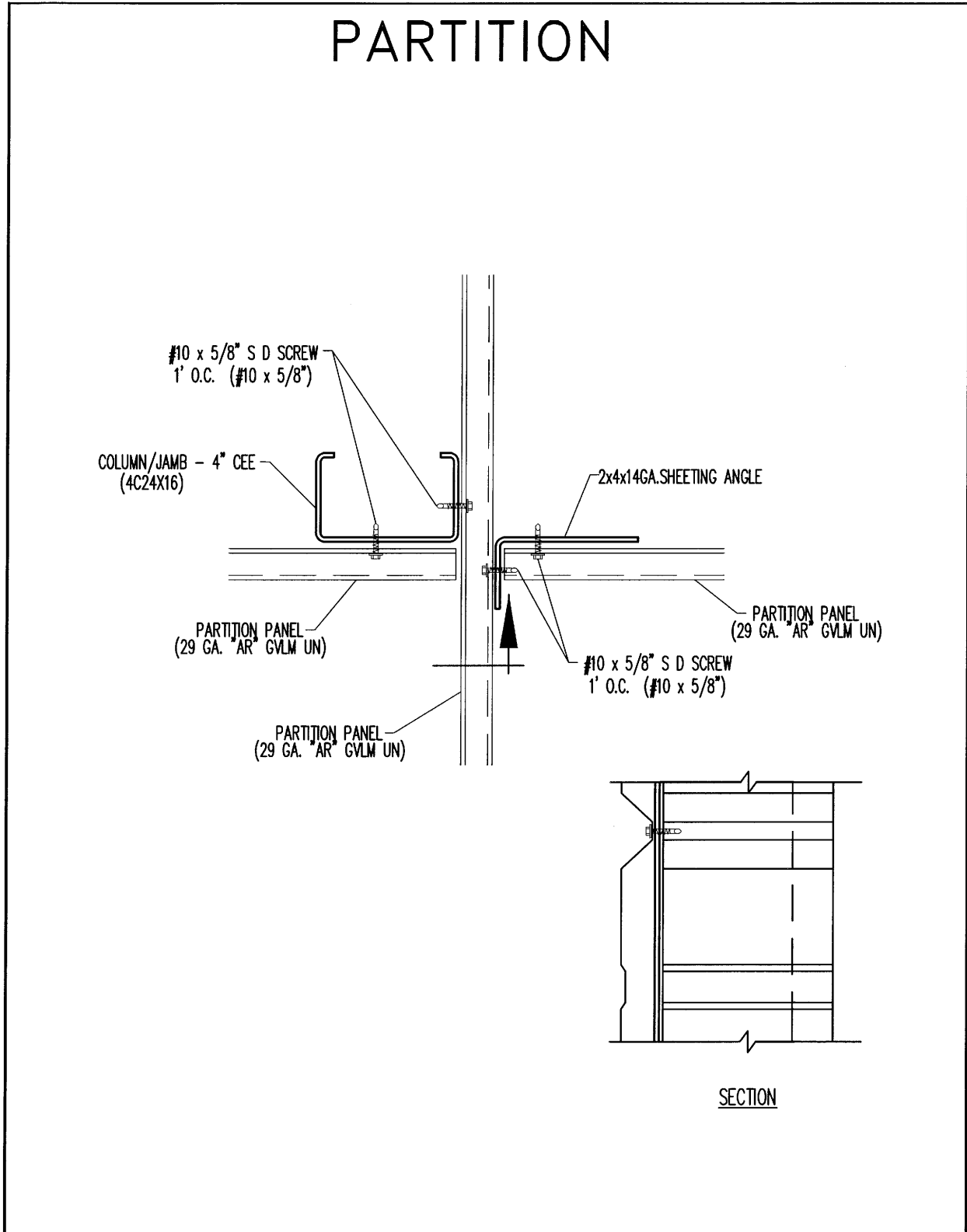
FLORENCE, AL.....256-764-7943
MURFREESBORO, TN.....615-867-4457
OLIVE BRANCH, MS.....662-893-7943

MINI STORAGE DETAILS



DETAIL

PARTITION



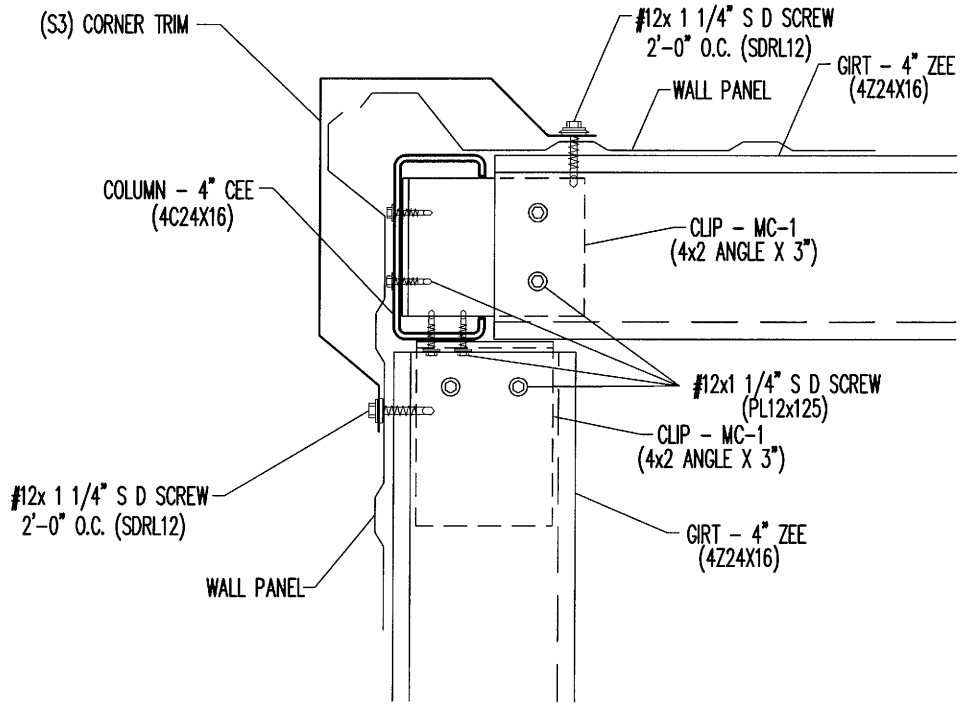
FLORENCE, AL.....256-764-7943
MURFREESBORO, TN.....615-867-4457
OLIVE BRANCH, MS.....662-893-7943

MINI STORAGE DETAILS



DETAIL

OUTSIDE CORNER



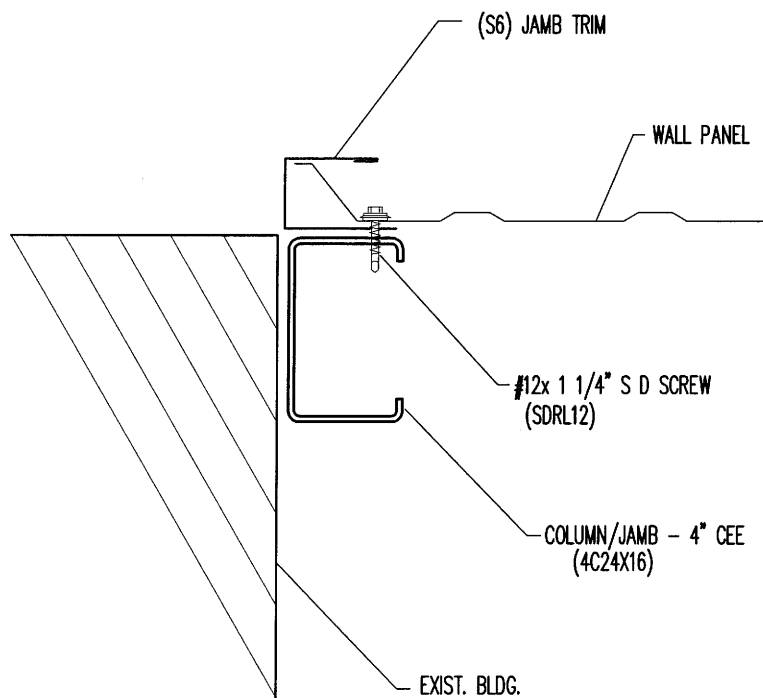
FLORENCE, AL.....256-764-7943
MURFREESBORO, TN.....615-867-4457
OLIVE BRANCH, MS.....662-893-7943

MINI STORAGE DETAILS



DETAIL

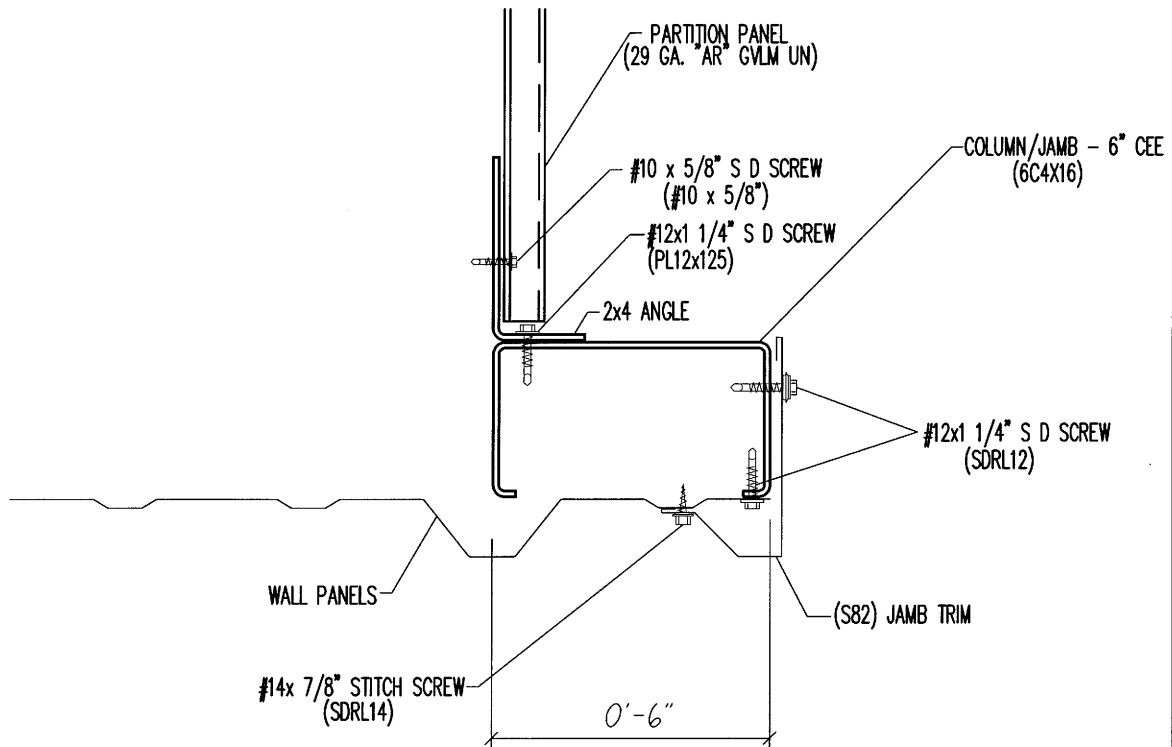
OUTSIDE CORNER TO EXIST. BUILDING



OMB - Mini Storage Erection Manual

DETAIL

DOOR JAMB @ END OF SHEETED WALL (STANDARD)



FLORENCE, AL.....256-764-7943
MURFREESBORO, TN.....615-867-4457
OLIVE BRANCH, MS.....662-893-7943

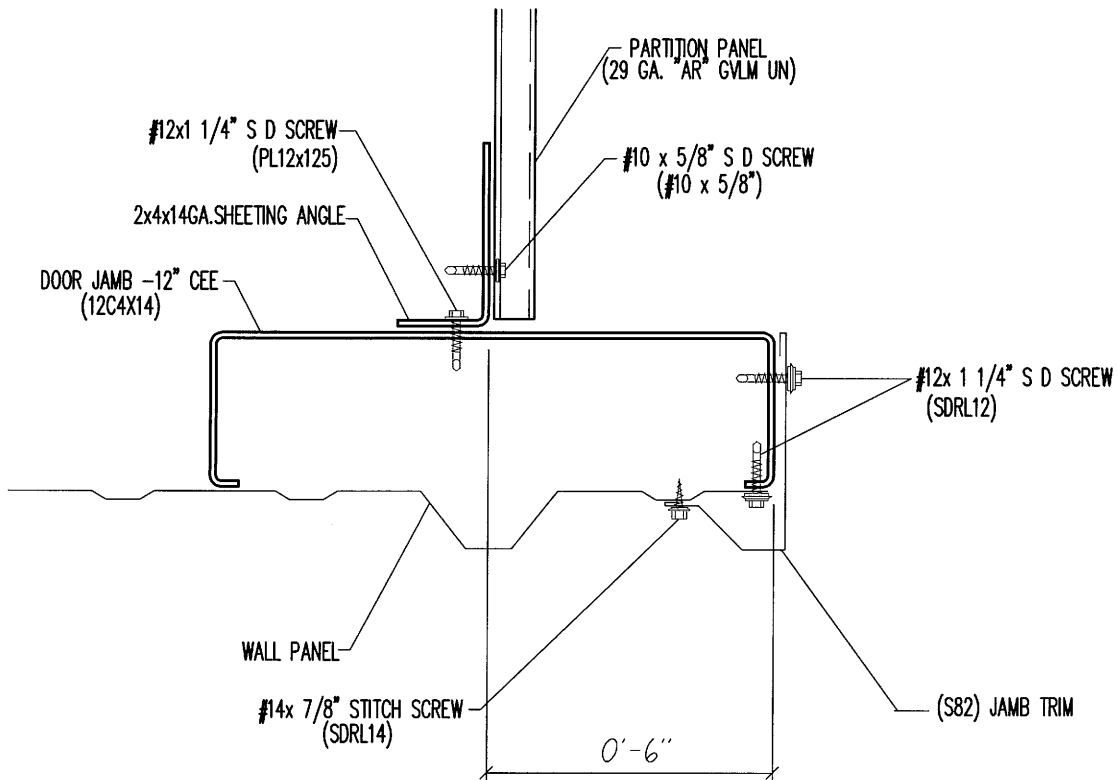
MINI STORAGE DETAILS



OMB - Mini Storage Erection Manual

DETAIL

DOOR JAMB @ END OF SHEETED WALL (ALTERNATE)

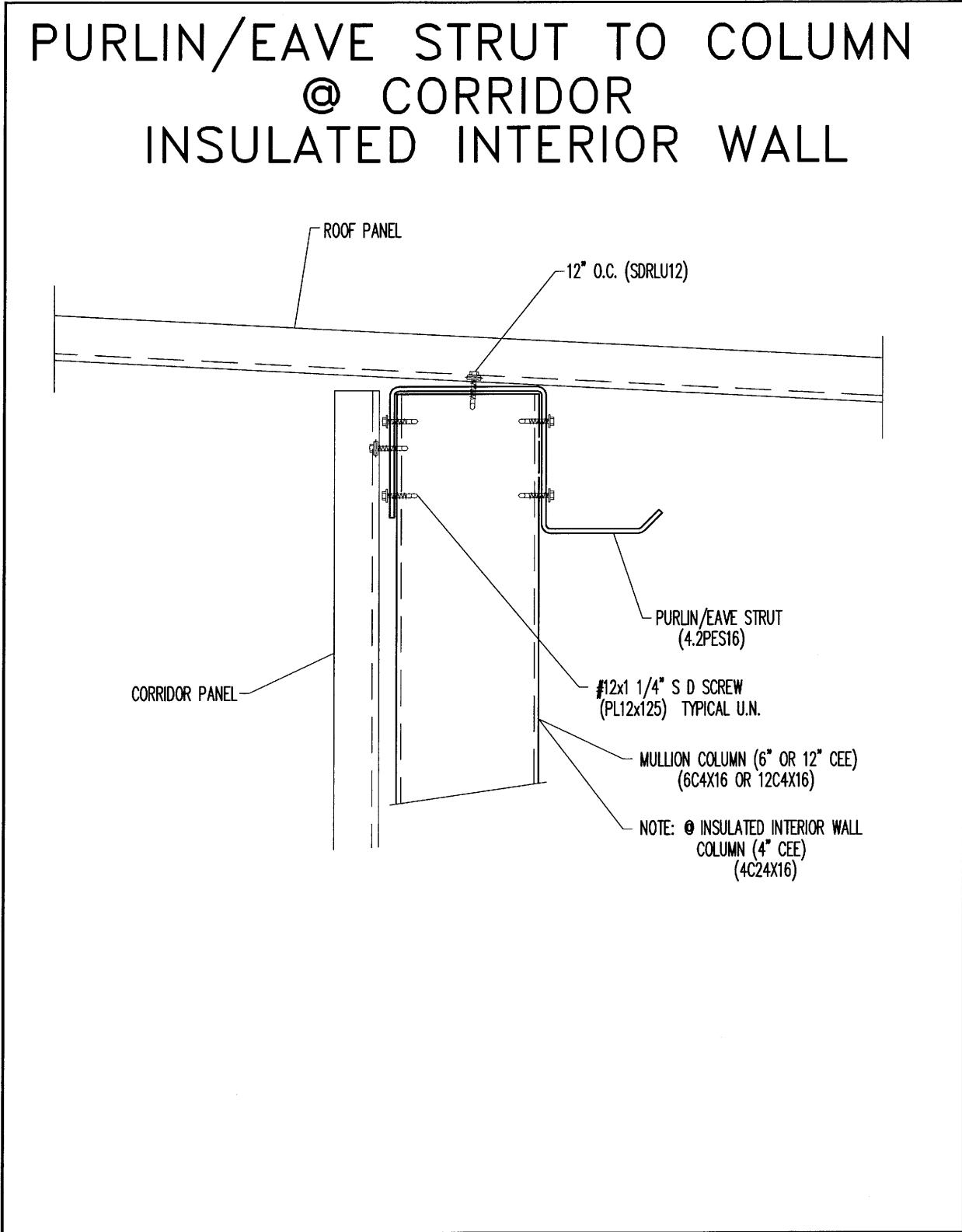


FLORENCE, AL.....256-764-7943
MURFREESBORO, TN.....615-867-4457
OLIVE BRANCH, MS.....662-893-7943

MINI STORAGE DETAILS



DETAIL



FLORENCE, AL.....256-764-7943
MURFREESBORO, TN.....615-867-4457
OLIVE BRANCH, MS.....662-893-7943

MINI STORAGE DETAILS





OAKLAND
METAL BUILDINGS, INC.
FLORENCE, AL - 256-764-7943

MINI
STORAGE
MANUAL